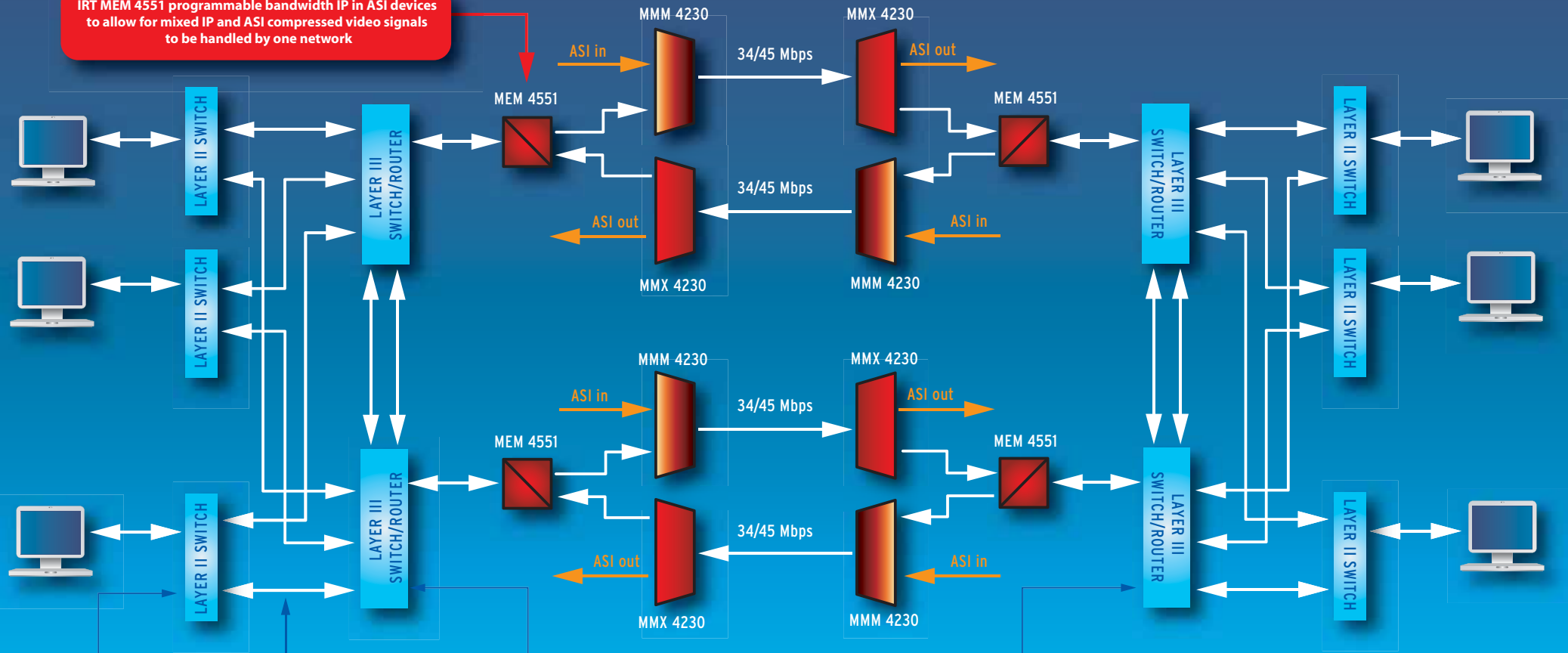


# Ethernet via ASI

IRT MEM 4551 programmable bandwidth IP in ASI devices to allow for mixed IP and ASI compressed video signals to be handled by one network



Layer II switches implementing 'Spanning Tree' algorithm to prevent re-circulating packets

Duplicate 10/100BaseT cabling so that any given switch can be fed from either Layer III device

Combined Layer III switch and router functionality implementing interior Gateway Protocol with 'heart beat' packets to detect remote failure. Port 'weighting' determines first choice ports.

