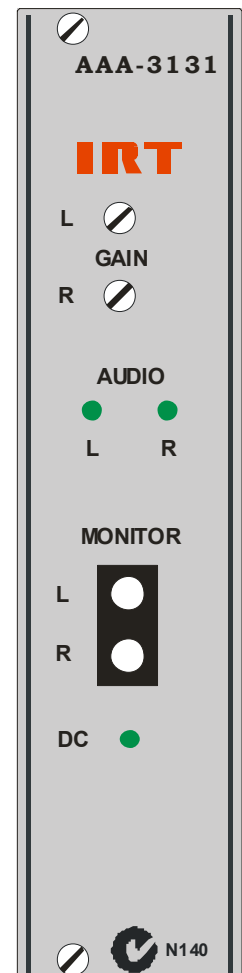
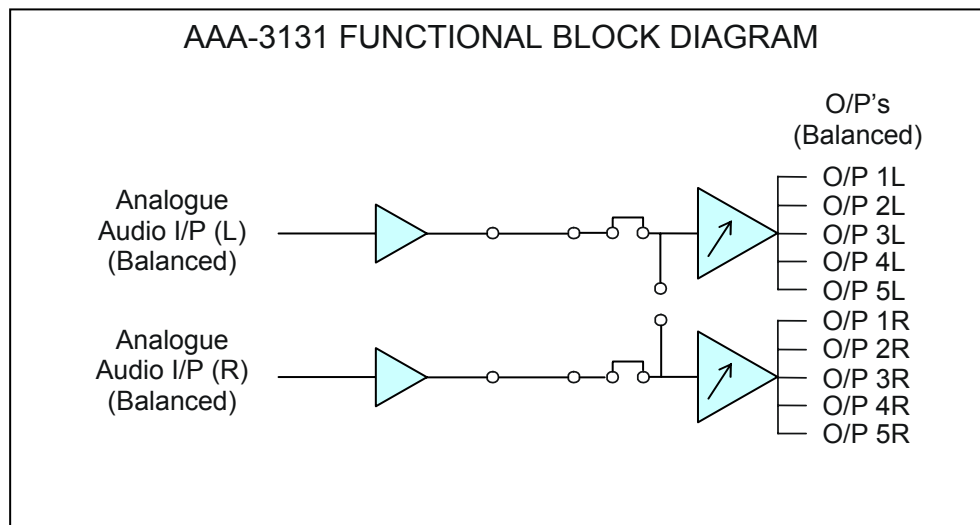


Stereo Audio Distribution Amplifier Type AAA-3131



Applications:

- Stereo signal duplication and distribution.
- Level matching and balancing.

Features:

- Selectable stereo or mono mode.
- Balanced inputs and outputs.
- Front panel monitoring bantam jacks.
- LED audio activity indicators.
- Front panel gain adjustments.
- Selectable gain ranges: +6 dB, +12 dB & +18 dB.
- Maximum output level +24 dBu.

General:

The IRT AAA-3131 is a high performance audio distribution amplifier that can be used for either mono or stereo signals.

Inputs and outputs are balanced connector types, which can be wired for unbalanced operation, if needed, for duplicating applications.

Front panel access is provided for the gain adjustment of Left and Right channels from zero output to the maximum of the selected gain range.

LED's on the front panel indicate the presence of audio on each channel and balanced output bantam jacks are provided for front panel monitoring.

The AAA-3131 is fabricated in IRT's standard Eurocard format and may be housed in a variety of IRT Eurocard frames alongside other standard modules.

AAA-3131 Technical specifications

Inputs: Left/Mono and Right

Type	Transformerless, balanced, bridging.
Impedance	> 10 k Ω .
Maximum input level	+24 dBu (6 dB gain mode)
Input CMR	> 55 dB 20 Hz to 20 kHz

Outputs:

Main: (Located on rear assembly.)

Type	Transformerless, balanced.
Number	10 (10 mono or 5 L and 5 R).
Impedance	< 40 Ω .
Maximum output level	+24 dBu into 600 Ω .
Maximum output loading	10 x 600 Ω or up to 26 High Z.
DC on output	< \pm 20 mV.

Monitoring: (Located on front panel.)

Type	Transformerless, balanced.
Number	2 (L and R) Bantam Jack.
Impedance	< 70 Ω .
Maximum output level	+24 dBu into 600 Ω .
Minimum output load	1 k Ω .
DC on output	< \pm 20 mV.

Indicators:

Audio activity	2 front panel LED's set for +4 dBu @ 1 kHz (user adjustable).
----------------	---

Performance:

Gain	Internally linked to a maximum gain of +6, +12 or +18 dB.
Frequency response	+ 0/- 0.3 dB for 20 Hz to 20 kHz.
Harmonic distortion	< 0.005% 20 Hz to 20 kHz at +20 dBm.
Noise	-110 dB, Ref. +24 dBm 20 to 20 kHz.
Crosstalk; Left/Right	-75 dB, 20 Hz to 20 kHz.
Amplifier/Amplifier	-80 dB, 20 Hz to 20 kHz.

Power Requirements:

Power consumption	28 Vac CT (14-0-14) or \pm 16 Vdc.
-------------------	--------------------------------------

Connectors:

Phoenix plugable screw block.

Other:

Temperature range	0 - 50° C ambient.
Mechanical	Suitable for mounting in IRT 19" rack chassis with input, output and power connections on the rear panel.
Finish: Front panel	Grey background, black lettering & red IRT logo.
Rear assembly	Detachable silk-screened PCB with direct mount connectors to Eurocard and external signals.
Dimensions	6 HP x 3 U x 220 mm IRT Eurocard.

Supplied accessories:

Rear connector assembly with Phoenix plugable compression screw terminals. Matching connectors for audio inputs & outputs supplied.

Due to our policy of continuing development, these specifications are subject to change without notice.

Detailed specifications available from:

Manufacturer:

IRT Electronics Pty Ltd

26 Hotham Parade

ARTARMON

N.S.W. 2064 AUSTRALIA

Phone: +61 2 9439 3744

Fax: +61 2 9439 7439

Email: sales@irtelectronics.com

Local Agent:

IRT can be found on the Internet at:

<http://www.irtelectronics.com>

