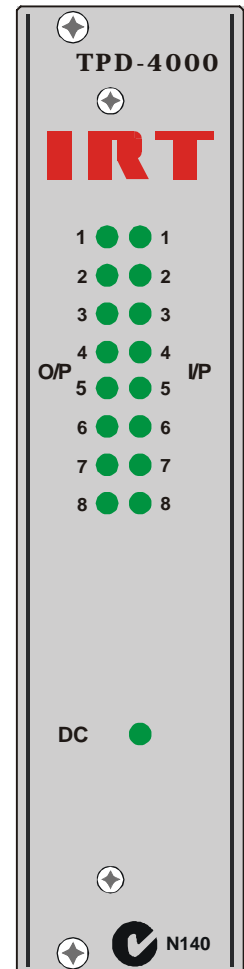
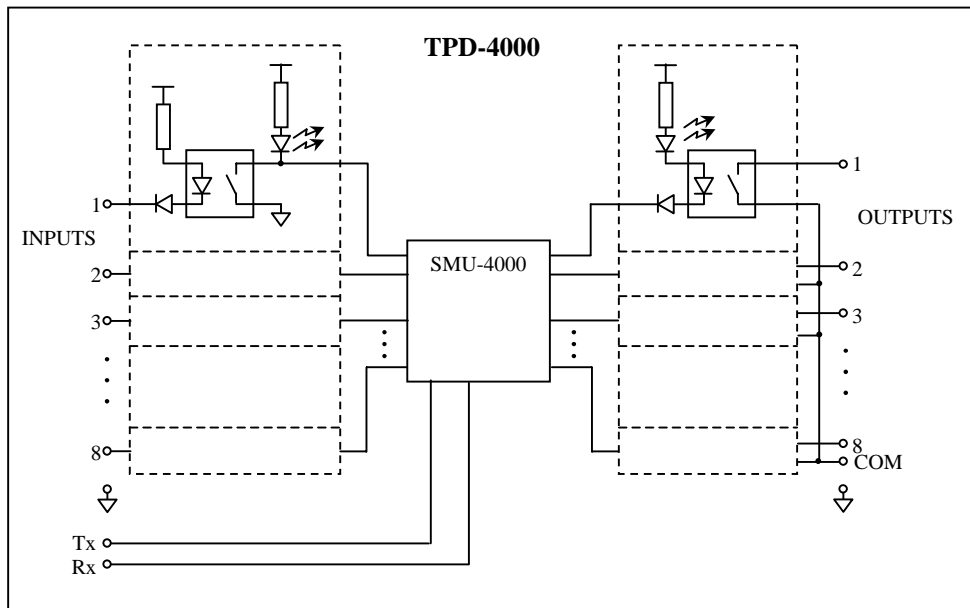


8 Input / 8 Output Relay SNMP Interface Type TPD-4000



Features:

- Eight alarm input ports
- Eight solid state relay control output ports
- SNMP control via 4000 series frame

General:

The TPD-4000 is an 8 input / 8 output solid state relay module designed to work in conjunction with IRT's 4000 series Simple Network Management Protocol (SNMP) frame.

The TPD-4000 finds particular use in gathering alarm and status information from non-SNMP controlled devices that use either relay or transistor switch to ground output ports, such as IRT's 3000 series Eurocards, for situations that require SNMP monitoring.

As well as being used for gathering information from non-SNMP devices, the TPD-4000 also has the ability to control non-SNMP devices that only need simple switching so that remote control is possible via an SNMP network.

8 independent inputs are opto-coupled being activated by a switch to ground contact. These inputs are fed to an IRT SNMP module for communication to an SNMP network.

8 solid state relay outputs have a common connection on one side of their relay that can be either connected to ground or to an external common signal. The switched side of the output switches either open circuit or to ground (or external common).

The TPD-4000 is a standard IRT Eurocard module and may be housed in IRT's 4000 series SNMP Eurocard frame.

TPD-4000 Technical Specifications

Inputs

Number 8 (plus 1 common).
 Type Switch to ground.
 Control drive current range 2.0 to 25 mA.
 Switch to ground control drive current 3.8 mA.

Outputs

Number 8 (plus 1 common).
 Type Solid state relay.
 Operating voltage range 0 to ± 250 V(dc or ac peak).
 Maximum load current 170 mA(ac or dc) @ $T_A=+40^\circ\text{C}$, 5mA control.
 Maximum on state resistance 15 Ω .
 Maximum off-state leakage 1.0 μA @ $T_A=+25^\circ\text{C}$, $\pm 250\text{V}$.

Power Requirements

Power consumption 28 Vac CT (14-0-14) or ± 16 Vdc.
 <3VA.

Connectors

2 pin Phoenix pluggable screw block.

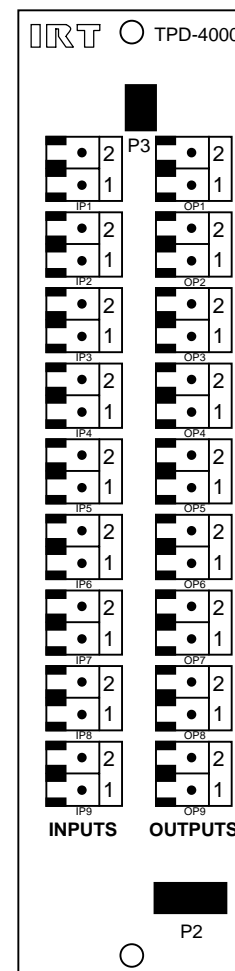
Other

Temperature range 0 - 50 $^\circ\text{C}$ ambient.
 Mechanical Suitable for mounting in IRT's 19" 4000 series rack frame with input and output connections on the rear panel.

Finish Front panel Grey background, black lettering & red IRT logo.
 Rear assembly Detachable silk screened PCB with direct mount connectors to Eurocard and external signals.

Dimensions 6 HP x 3 U x 220 mm IRT Eurocard.

Standard accessories SMU-4000 SNMP plug-in management controller.



Due to our policy of continuing development, these specifications are subject to change without notice.

Detailed specifications available from:

Manufacturer:
IRT Electronics Pty Ltd

26 Hotham Parade
 ARTARMON
 N.S.W. 2064 AUSTRALIA

Phone: +61 2 9439 3744

Fax: +61 2 9439 7439

Email: sales@irtelectronics.com

Local Agent:

IRT can be found on the Internet at:
<http://www.irtelectronics.com>