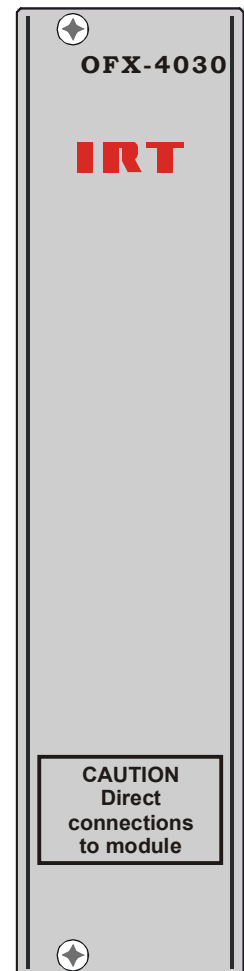
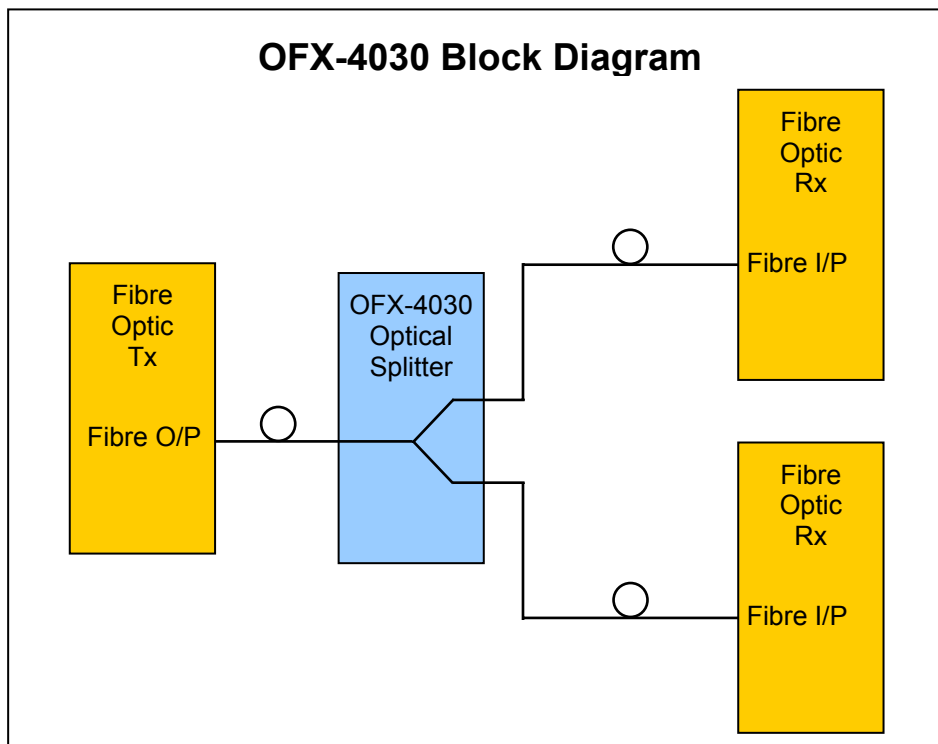


## 2-Way Fibre Optic Splitter Type OFX-4030



### Features:

- 50/50 optical splitter.
- Operates in the full CWDM wavelength range.
- Suitable for all signal types.
- No power required – totally passive.
- Connections made by SC/PC connectors.

### General:

The OFX-4030 is an optical splitter suitable for use with IRT's complete range of optical fibre transmitters comprising of HD, SD, ASI, L-Band or analogue signals.

The input optical signal is split equally between output allowing two optical receivers to be fed by the one optical transmitter. This allows either two separate locations to receive the input signal optically via the one source, or allows optical fibre redundancy by sending via different paths.

The OFX-4030 is a passive unit that requires no power to operate and is designed to mount in IRT's standard 1RU and 4000 series 3RU frames.

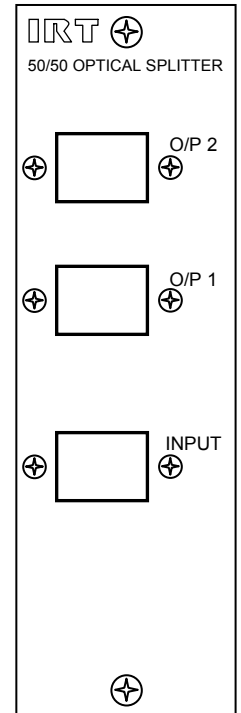
## OFX-4030 Technical Specifications

### OFX-4030:

Type 50/50 optical splitter.  
Wavelengths CWDM range – 1300nm to 1620nm.  
Fibre Single mode.  
Connector type SC/PC.  
Insertion loss < 3.9 dB.

### Other

Temperature range 0 - 50° C ambient.  
Mechanical Suitable for mounting in IRT 19" 1RU or 4000 series 3RU rack chassis with input and output connections on the rear panel.  
Finish Front panel Grey background, black lettering & red IRT logo.  
Rear assembly Common connection mounted on bracket from main PCB.  
Dimensions 6 HP x 3 U x 220 mm IRT Eurocard.



Due to our policy of continuing development, these specifications are subject to change without notice.

### Detailed specifications available from:

**Manufacturer:**  
**IRT Electronics Pty Ltd**  
26 Hotham Parade  
ARTARMON  
N.S.W. 2064 AUSTRALIA  
Phone: +61 2 9439 3744  
Fax: +61 2 9439 7439  
Email: sales@irtelectronics.com

**Local Agent:**

IRT can be found on the Internet at:  
<http://www.irtelectronics.com>