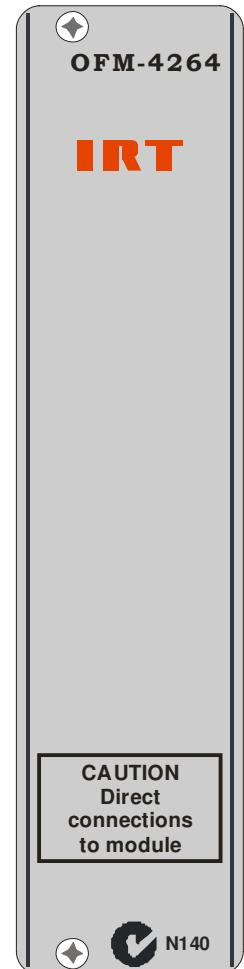
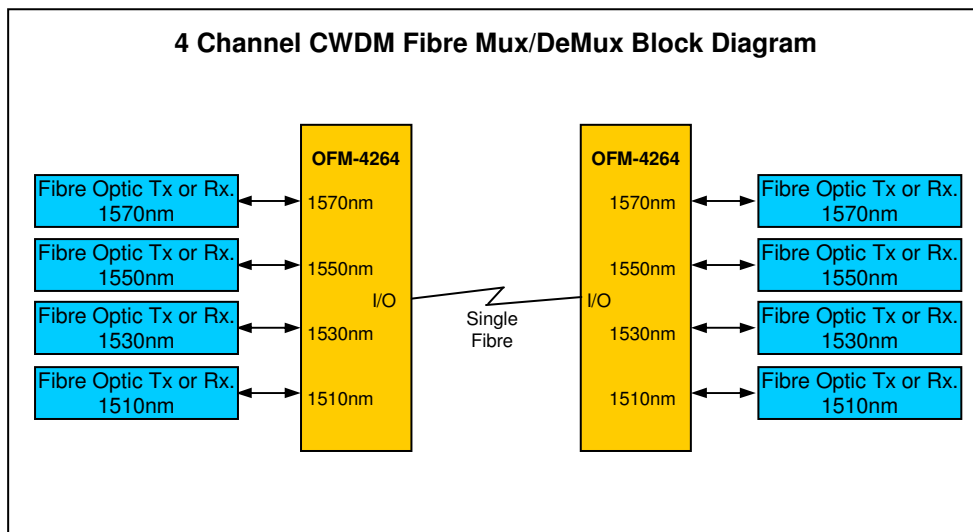


## 4 Channel CWDM Fibre Optic Multiplexer / Demultiplexer OFM-4264



### Features:

- Four set CWDM optical wavelength inputs and outputs
- Uni-directional or bi-directional operation
- Low insertion loss
- SC/PC type of optical connectors

### General:

The OFM-4264 is coarse wave division optical wavelength division multiplexer / demultiplexer (CWDM) for combining and separating up to four optical signals of 1510nm, 1530nm, 1550nm and 1570nm wavelengths for either uni-directional or bi-directional transmission on the one fibre.

With the high cost of hiring or installing additional dark fibre it makes economical sense to maximise the use of existing infrastructure.

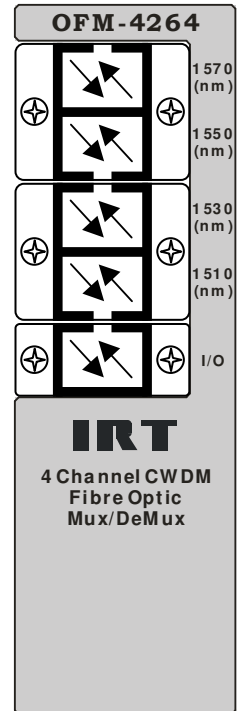
Used in combination with IRT's extensive range of fibre transmitters / receivers and interface modules, a myriad of different signals types can be sent down the one fibre. With IRT's four channel fibre multiplexer/demultiplexer modules, for example, up to sixteen SDI signals can be sent down a single fibre. Or up to sixty-four ASI signals can be sent when also used with IRT's ASI multiplexer/demultiplexer modules.

The OFM-4264 is designed to mount in IRT's 1RU or 4000 series 3RU frame.

## Technical Specifications

### OFM-4264:

Type	4 Channel CWDM multiplexer.
Wavelengths	1510 nm, 1530 nm, 1550 nm & 1570 nm.
Fibre	Single mode.
Connector Type	SC/PC.
Maximum Power Handling	300 mW.
Channel Passband	> 13 nm (typically 15nm).
Insertion loss	< 2.5 dB (< 2.0 dB typically).
Passband Ripple	< 0.5 dB (typically 0.3 dB).
Uniformity	< 1.5 dB.
Return Loss	> 45 dB (typically 50 dB).
Directivity	> 55 dB.
Channel Isolation	> 30 dB (typically 40 dB).
Non Adjacent Channel Isolation	> 45 dB (typically 50 dB).
Polarization Dependent Loss	< 0.2 dB.



### Other

Temperature range	-10 - 70° C ambient
Mechanical	Suitable for mounting in IRT's 19" 1RU or 4000 series 3RU rack frame with input and output connections on the rear panel
Finish	Front panel Rear assembly
Dimensions	Grey background, black lettering & red IRT logo Common connection mounted on bracket from main PCB 6 HP x 3 U x 220 mm IRT Eurocard

**Due to our policy of continuing development, these specifications are subject to change without notice.**

**Detailed specifications available from:**

**Manufacturer:**  
**IRT Electronics Pty Ltd**  
26 Hotham Parade  
ARTARMON  
N.S.W. 2064 AUSTRALIA  
Phone: +61 2 9439 3744  
Fax: +61 2 9439 7439  
Email: sales@irtelectronics.com

**Local Agent:**

**IRT can be found on the Internet at:**  
**<http://www.irtelectronics.com>**