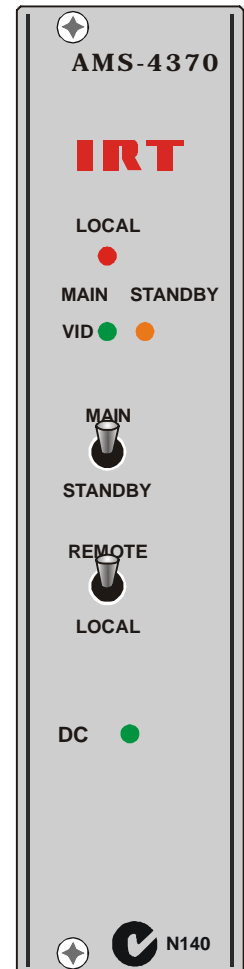
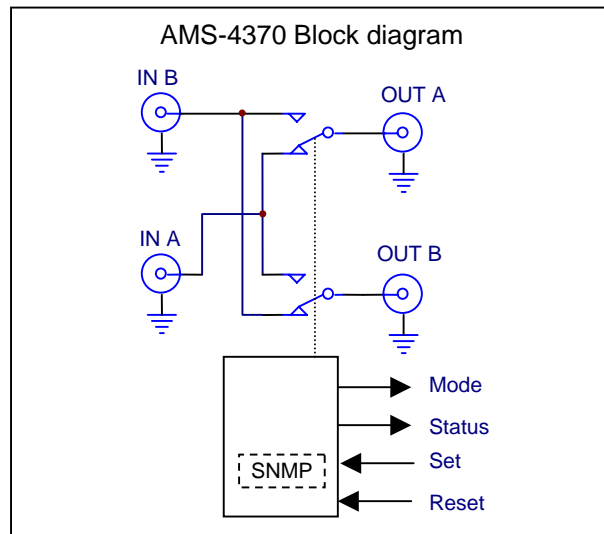


HD, SDI, ASI, G.703, Video 4 Port Changeover Relay Type AMS-4370



Features:

- **Signal path suitable for HDSDI (1.485Gb/s), SDI , analogue video, ASI data streams and G703 signals @ 2, 8, 34, 45, 144, 155Mb/s.**
- **Momentary Set/Reset control.**
- **No path change on power fail.**
- **Local or remote control.**
- **Front panel LED status indicators.**
- **Optional plug in SNMP monitoring and switching module.**

General:

The AMS-4370 is a magnetic latching 4 port changeover switcher using enhanced performance relays which provide switching capabilities for high speed data signals up to 1.485 Gb/s. It is suitable for switching high definition video (HDSDI¹), ASI, SDI, G.703 data streams, or analogue video signals.

The AMS-4370 is arranged as a changeover switch with two inputs and two outputs. No terminations are provided on the board allowing the switcher to be used in a wide variety of applications and with signals of various types and impedances.

The magnetic latching characteristic of the high performance relays allows momentary control and also provides for no change of path during power loss. Remote changeover is by a momentary ground connection.

The AMS-4370 is ideally suited to applications where a simple choice between two inputs or outputs is required and may be easily driven by detector circuits for automatic path selection.

Remote indication of tally and local/remote status is provided for integration into central alarm and monitoring systems.

The AMS-4370 relay card is built to the Eurocard format and is designed to fit IRT's Standard Eurocard frame as well as IRT's 4000 series frame for use with IRT's SNMP system and may be used alongside any other of IRT's analogue or digital Eurocards.

¹ For HDSDI applications, use in either IRT 1RU or 4000 series 3RU frames only.

AMS-4370 Technical Specifications

Signal path:

Signal types	HDSI/SDI/ASI/G.703/Video
Switching characteristic	Magnetic latching 4 port changeover relay.
Crosstalk between channels	< -50 dB to 300 MHz. < -30 dB to 1.5 GHz
Frequency response	+0/-0.5 dB 0 Hz to 750 MHz, +0/-1.5 dB 750 MHz to 1.5 GHz

Auxilliary Data:

Mode	TTL level: Local = 0V (LOW); Remote = 4.5V (HIGH) via pull-up resistor, or open drain (link selectable).
Data/Tally	Magnetic latching relay changeover contact set. Common can be left open, or linked to ground or +12V of the main board.

Remote Control:

Mode	Momentary ground, or TTL compatible circuit with 2k7 internal pull-up resistors to +4.5V
Power requirement	1.5 mA sink to ground.

Connectors:

Video:	BNC.
Video Tally:	3 pin Phoenix pluggable screw block.
Video Control:	4 pin Phoenix pluggable screw block.

Other:

Relay contact rating	24 Vdc - 1 A 100 Vac - 0.3 A
Power requirements:	28 Vac CT (14-0-14) or ± 16 Vdc
Power consumption	1 VA.
Temperature range	0 - 50° C ambient

Mechanical

Suitable for mounting in IRT 19" rack chassis with input, output and power connections on the rear panel.

Finish: Front panel
Rear assembly

Grey background, silk-screened black lettering & red IRT logo.

Detachable silk-screened PCB with direct mount connectors to Eurocard and external signals.

Dimensions

6 HP x 3 U x 220 mm IRT Eurocard.

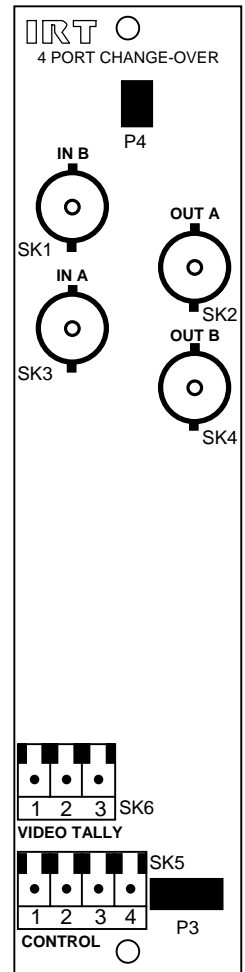
Supplied accessories

Rear connector assembly with matching connectors for control input and tally/mode outputs.

Optional accessories

Instruction manual.

SMU-4000 SNMP plug-in module for use with 4000 series frame fitted with SNMP "Agent" (future).



Due to our policy of continuing development, these specifications are subject to change without notice.

Detailed specifications available from:

Manufacturer:
IRT Electronics Pty Ltd
26 Hotham Parade
ARTARMON
N.S.W. 2064 AUSTRALIA
Phone: +61 2 9439 3744
Fax: +61 2 9439 7439
Email: sales@irtelectronics.com

Local Agent:

IRT can be found on the Internet at:
<http://www.irtelectronics.com>