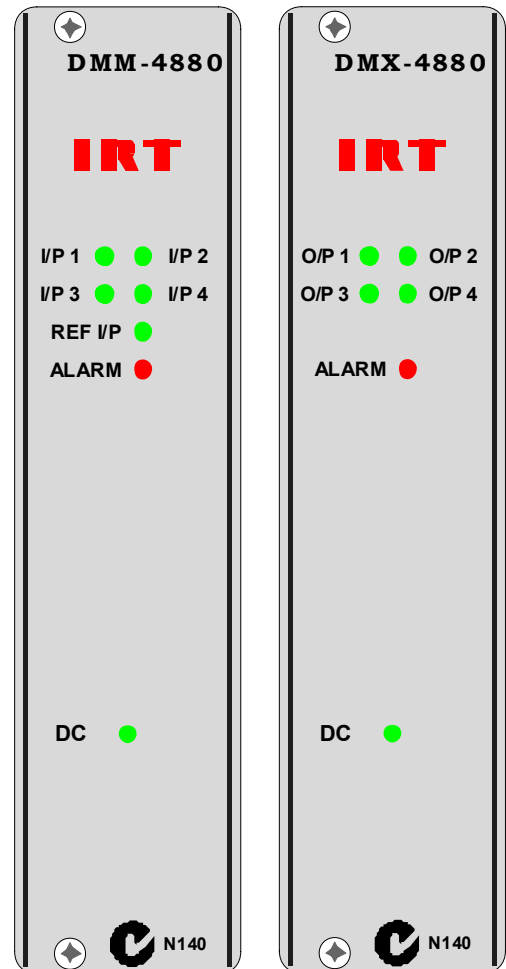
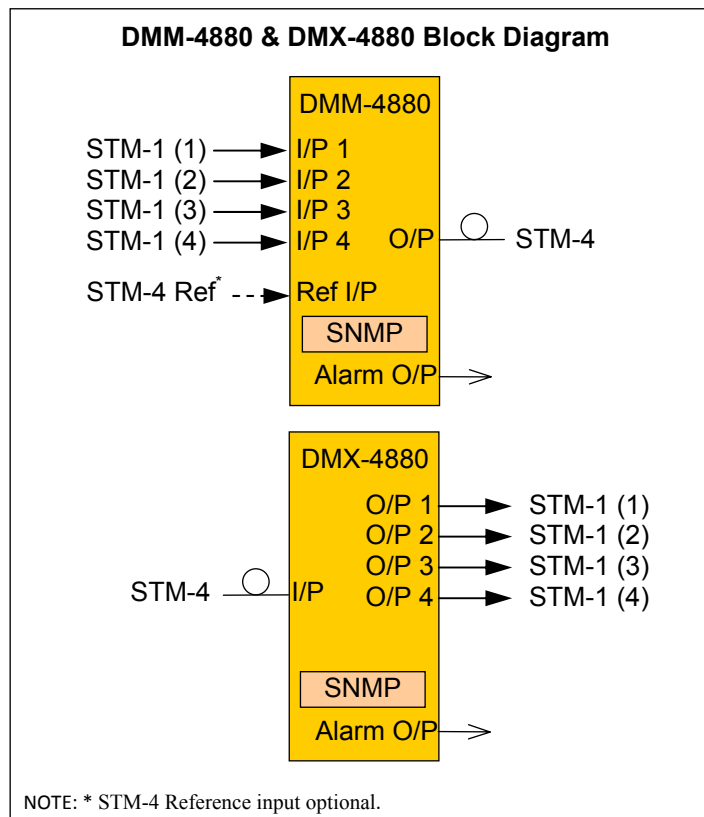


## 4 STM-1 to STM-4 Multiplexer / De-Multiplexer Types DMM-4880 & DMX-4880



### Features:

- Up to 4 STM-1 electrical streams on one STM-4 link
- Automatic Input equalisation > 200m
- Recovers transmitted STM-1 signals with minimal user setup
- Monitoring and control via SNMP

### General:

The DMM-4880 and DMX-4880 are part of a family of network adapters for converting between STM-1 and STM-4 formats.

With the DMM-4880 up to four 155Mb/s STM-1 electrical signals can be multiplexed together and converted into a single 622Mb/s STM-4 optical NRZ signal.

Inputs are automatically equalised for lengths of up to 200m of Belden 8281 or equivalent cable.

Front panel indications on the DMM-4880 multiplexer shows if valid STM-1 signals are present.

Optional STM-4 reference input for synchronizing to STM-4 network, if required.

The DMX-4880 separates the 622Mb/s STM-4 signal back into the original four 155Mb/s STM-1 signals.

Front panel indications on the DMX-4880 de-multiplexer shows if valid encoded STM-1 signals are present.

SNMP (Simple Network Management Protocol) is available for monitoring and control when used in an IRT frame fitted with SNMP capability.

The DMM-4880 and DMX-4880 are designed to fit IRT's standard Eurocard frames and may be used alongside any other of IRT's analogue or digital Eurocards.

# Technical Specifications

## DMM-4880:

### Inputs:

Type 1  
Electrical Characteristics  
Data Rate  
Equalisation

4 x STM-1 (OC-3), 75Ω, 1Vp-p, BNC connector.  
CMI encoded.  
155.52 Mb/s.  
Automatic, > 200m at 155Mb/s for Belden 8281 or equivalent cable.

Type 2 (Optional)  
Optical Characteristics  
Data Rate

1 x optical STM-4 (OC-12), LC/PC (standard) optical connector.  
NRZ encoded.  
622.08 Mb/s.

### Output:

Type  
Optical Characteristics  
Data Rate

1 x optical STM-4 (OC-12), SC/PC (standard) optical connector<sup>1</sup>.  
NRZ encoded.  
622.08 Mb/s.

**Alarm Output:** MAJOR  
MINOR

Not used. Open circuit on loss of power.  
Open circuit on no valid input STM-1 streams present, or loss of power.

## DMX-4880:

### Input:

Type  
Optical Characteristics  
Data Rate

1 x STM-4 (OC-12), optical, SC/PC optical connector (standard).  
NRZ encoded.  
622.08 Mb/s.

### Outputs:

Type  
Data Rate

4 x STM-1 (OC-3) 75Ω, 1Vp-p, BNC connector.  
155.52 Mb/s.

**Alarm Output:** MAJOR  
MINOR

Open circuit on no valid STM-4 input present, or loss of power.  
Open circuit on no valid output STM-1 streams present, or loss of power.

### Optical

Optical path loss<sup>2</sup>  
Optical fibre  
Optical wavelength  
Optical connectors  
DMM-4880 optical output  
DMX-4880 optical input

3 to 18 dB with PIN detector (typically 20dB),  
Designed for use with 9/125 μm single mode fibre.  
1310nm (DFB laser - standard).  
SC/PC (standard).  
0 dBm +3/-0 dB standard DFB laser,  
PIN detector, -3 to -18 dBm input level

### Power Requirements

Power consumption  
28 Vac CT (14-0-14) or ±16 Vdc.  
7 VA.

### Other

Temperature range  
Mechanical

0 - 50° C ambient.  
Suitable for mounting in IRT 19" rack chassis with input, output and power connections on the rear panel.

Finish  
Dimensions

Front panel  
Rear assembly

Grey background, black lettering & red IRT logo.  
Detachable silk-screened PCB with direct mount connectors to Eurocard and external signals.  
6 HP x 3 U x 220 mm IRT Eurocard.

**NOTE:** 1 If optional STM-4 reference fitted, standard output optical connector is an LC/PC type.  
2 Optical attenuator required for optical paths <3dB optical loss.

**Due to our policy of continuing development, these specifications are subject to change without notice.**

**Detailed specifications available from:**

**Manufacturer:**

**IRT Electronics Pty Ltd**

26 Hotham Parade

ARTARMON

N.S.W. 2064 AUSTRALIA

Phone: +61 2 9439 3744

Fax: +61 2 9439 7439

Email: sales@irtelectronics.com

**Local Agent:**

**IRT can be found on the Internet at:**

**<http://www.irtelectronics.com>**

